

12V

3000A

GB150



START DEAD BATTERIES. ULTRASAFE® LITHIUM JUMP STARTER.™

GAS & DIESEL

UP TO 9.0L GAS & 7.0L DIESEL.
Designed for both gas engines up to 9.0 liters and diesel engines up to 7.0 liters for cars, SUVs, trucks, boats, RVs, and more.

USB

CHARGE & RECHARGE.
It's internal battery can be used to recharge any personal mobile devices like smartphones, tablets, or any other USB device, and can be recharged by any powered USB port.

80X

UP TO 80 JUMPSTARTS.
Compact, yet powerful lithium jump starter rated at 3,000 amps. Full power to jump start a vehicle up to 80 times on a single charge.

ULTRA SAFE

SPARK PROOF TECHNOLOGY.
Safely connect to any 12-volt car battery with our mistake-proof design featuring spark-proof technology and reverse polarity protection.



NOCO

30339 Diamond Parkway, #102
Glenwillow, OH 44139 | USA
1.800.456.6626

no.co

LEAD ACID
WET GEL MF EFB AGM
AUTO | MARINE | RV | POWERSPORT | LAWN & GARDEN



INTERFACE

POWER LED

The jump starter is in standby or the battery voltage is too low for the jump starter to detect.



POWER BUTTON

Push to turn unit "On" & "Off".



CHARGE LED

Indicates the charge level of the internal battery.



BOOST LED

Illuminates white when boost is active. The LED flashes white when manual override feature is active.



VOLTMETER

Built-in voltmeter displays the voltage of the vehicle's battery for enhanced diagnostics and troubleshooting.



LIGHT MODE BUTTON

Toggles the ultra-bright LED light through 7 light modes: 100% > 50% > 10% > SOS > Blink > Strobe > Off



ERROR

Illuminates Red if reverse polarity is detected. Blinks "on" and "off" in various sequences to convey error conditions.



MANUAL OVERRIDE.

Press and hold the manual override button for 3 seconds, until the Boost LED starts flashing, to enter into manual mode.



CHARGE DEVICES.

Recharge your personal devices on the go, like smartphones, tablets, e-watches and more - up to 6 smartphone recharges.

RECHARGE TIME

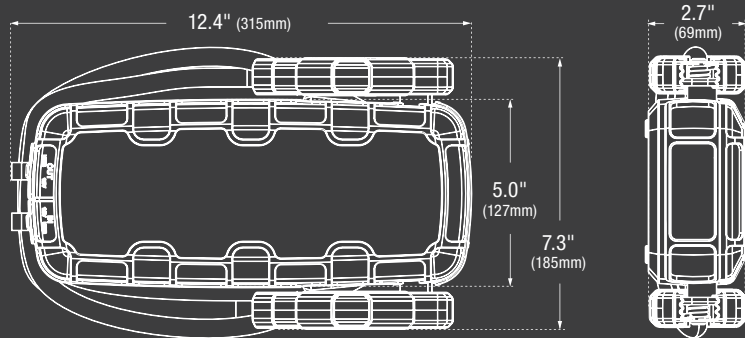
0.5A	12hr
1A	6hr
2A	3hr

TECHNICAL SPECIFICATIONS

INTERNAL BATTERY:	88 Watt-Hour Lithium Ion
PEAK CURRENT RATING:	3000A
OPERATING TEMPERATURE:	-4°F to +122°F (-20°C to +50°C)
CHARGING TEMPERATURE:	32°F to +104°F (0°C to +40°C)
MICRO USB (INPUT):	5V, 2.1A
USB (OUTPUT):	5V, 2.1A
XGC (INPUT):	12 VDC, 5A Fast Charge
XGC (OUTPUT):	12 VDC, 15A Power Supply
HOUSING PROTECTION:	IP65 (w/Ports Closed)
COOLING:	Natural Convection
UNIT WEIGHT:	6 lbs (2.72kg)
UNIT WEIGHT W/ CLAMPS & ACCESSORIES:	7.5 lbs (3.4kg)
LED FLASHLIGHT:	500 Lumens

VOLUMETRICS:	Retail Packaging: Dimensions: 8.19"x4.88"x13.70" Weight: 8.00lbs UPC: 0-46221-15006-3	Master Carton: Dimensions: 14.76"x9.25"x12.50" Weight: 17.97lbs Quantity: 2 UCC: 100.46221150060
	Inner Carton: Dimensions: 14.09"x8.78"x5.79" Weight: 8.46lbs	Units Per Pallet: NA - 100 Units EU - 72 Units

WHAT'S IN THE BOX



*Accessories not to scale with GB150



XGC Extension Cable



User Guide



Microfiber Storage Bag



USB to Micro USB 40" (1m)



XGC 12V Male Adapter



XGC 12V Female Adapter

NOCO

30339 Diamond Parkway, #102
Glenwillow, OH 44139 | USA
1.800.456.6626

no.co

