

12V 24V

6250A

GB500+



# COMMERCIAL-GRADE LITHIUM JUMP STARTER.™

45L+

### GAS AND DIESEL.

It's commercial in every way. It jump starts almost every type of vehicle and equipment, including semi-trucks (up to class 8), motorhomes, coaches, buses, mining, agricultural, construction, and vocational equipment - 6, 8, 12, and 16 cylinder - and more.



### 60-SECOND TIMEOUT.

A 60-Second Countdown will be initiated as soon as a battery is detected. After 60 seconds has elapsed, the jump starting function will be disabled.

2.0

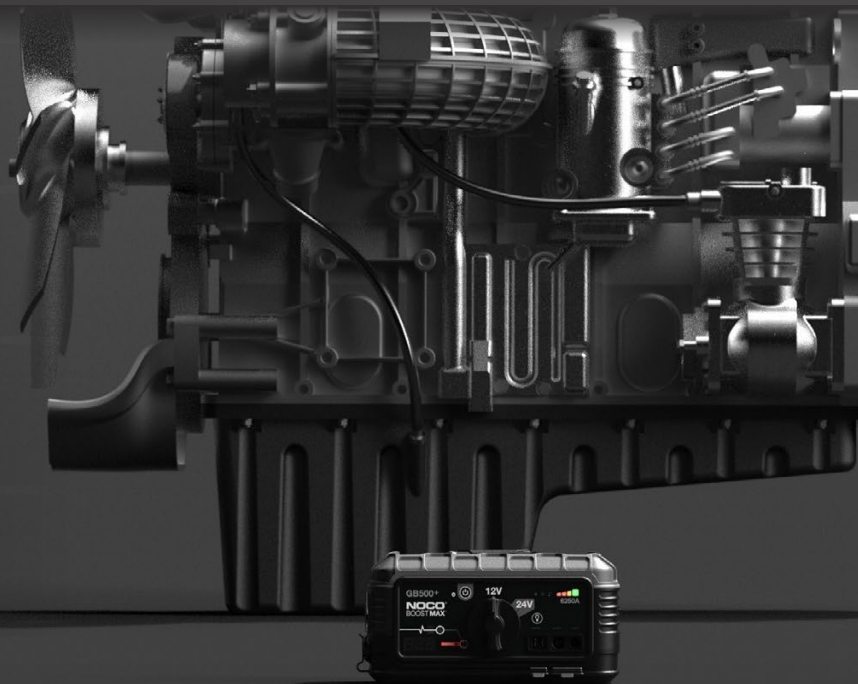
### ULTRASAFE 2.0.

Safe and easy to use battery jump starter pack without the worry of incorrect connections or sparks. Safely connect to any 12-volt or 24-volt battery with our mistake-proof design featuring spark-proof technology and reverse polarity protection.

2200 LUMENS

### MULTI-FUNCTIONAL.

It's not just a lithium jump starter but also a portable power bank for recharging smartphones, tablets, and other USB devices, with an ultra-bright 2200-lumen LED flashlight with seven light modes, including emergency strobe and SOS.



30339 Diamond Parkway, #102  
Glenwillow, OH 44139 | USA  
1.800.456.6626

no.co

### LEAD ACID



AUTO | MARINE | RV | POWERSPORT | LAWN & GARDEN



## INTERFACE

### POWER LED

The charger is in standby or the battery voltage is too low for the charger to detect.



### ERROR

Illuminates Red if reverse polarity is detected. Blinks "on" and "off" in various sequences (from 1 to 6 blinks) to convey error conditions.



### HOT/COLD INDICATOR

Illuminates solid or flashes blue when internal temperature is too low. Illuminates solid or flashes red when internal temperature is too high.



### CHARGE LED

Indicates the charge level of the internal battery.



### BOOST LED

Illuminates white when boost is active. The LED flashes white when manual override feature is active.



### VOLTMETER

Built-in voltmeter displays the voltage of the vehicle's battery for enhanced diagnostics and troubleshooting.



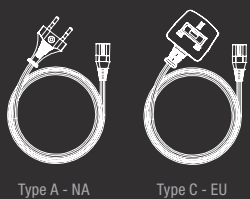
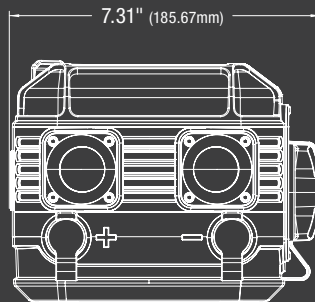
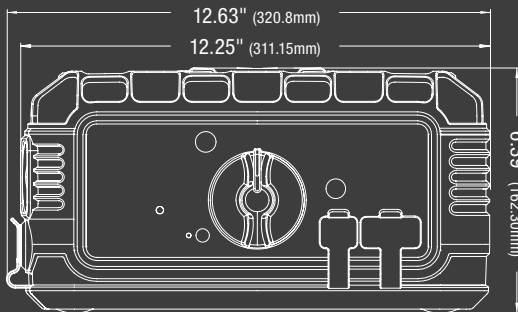
## USB & 12V POWER.

Charge virtually any USB device, including smartphones and tablets. Remote power for a wide range of 12V devices including tire pumps, inverters, lights, phone chargers and more.

## RECHARGE TIME: 6-8hr

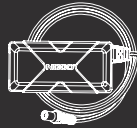
From 0-100% 4X Faster. Charge directly from the vehicle's 12-volt auxiliary port or the XGC4 4-Amp Power Adapter to recharge it's 266 watt-hours lithium-ion battery in 6-8 hours.

## WHAT'S IN THE BOX

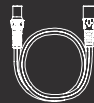


Type A - NA

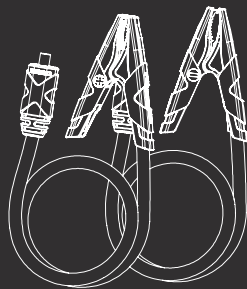
Type C - EU



XGC4 Adapter



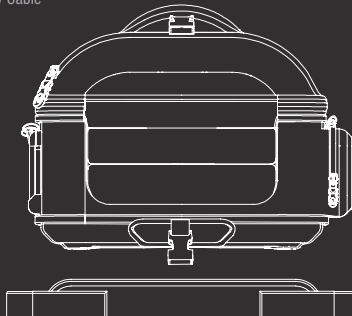
12V Cable



Clamps



User Guide



EVA Case

\*Accessories not to scale with GB500+

## TECHNICAL SPECIFICATIONS

INTERNAL BATTERY:	266 WH Lithium Ion
PEAK CURRENT RATING:	6250A
OPERATING TEMPERATURE:	-22°F to +122°F (-30°C to +50°C)
CHARGING TEMPERATURE:	32°F to +104°F (0°C to +40°C)
12V (INPUT):	12V, 5A
12V (OUTPUT):	12V, 15A MAX
USB (OUTPUT):	Dual 5V, 2.1A
HOUSING PROTECTION:	IP65 (w/Ports Closed)
COOLING:	Natural Convection
WEIGHT:	19 lbs (6.67kg)
VOLUMETRICS:	<p><b>Inner Carton:</b> Dimensions: N/A Weight: N/A UPC: 046221170313</p> <p><b>Master Carton:</b> Dimensions: 20.08" x 14.25" x 12.40" Weight: 21.6lbs Quantity: 1 UCC: 00046221170313</p> <p><b>Units Per Pallet:</b> 45 Units</p>

**NOCO**

30339 Diamond Parkway, #102  
Glenwillow, OH 44139 | USA  
1.800.456.6626

no.co

